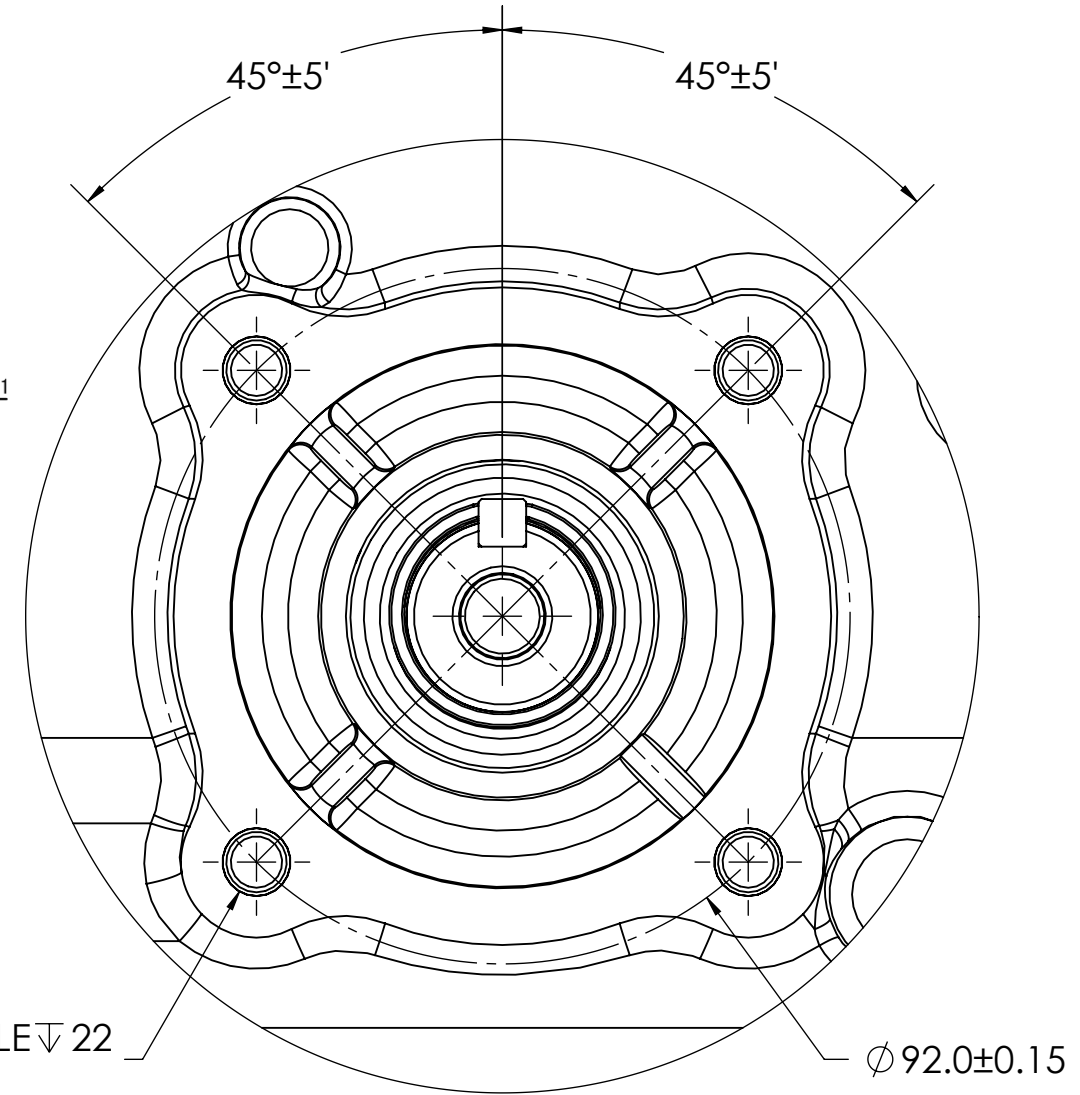
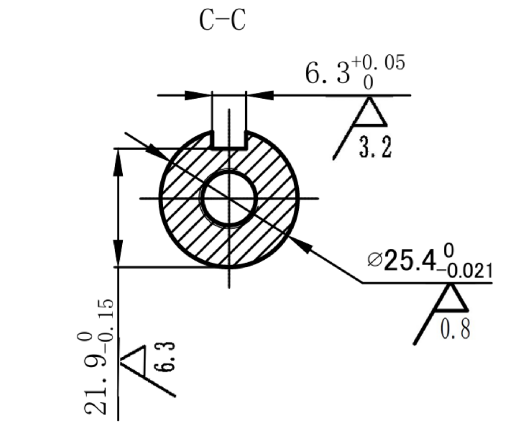
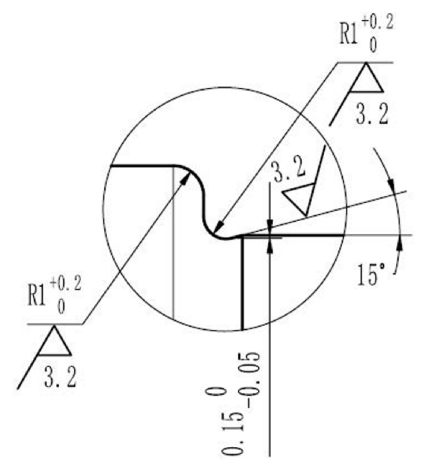
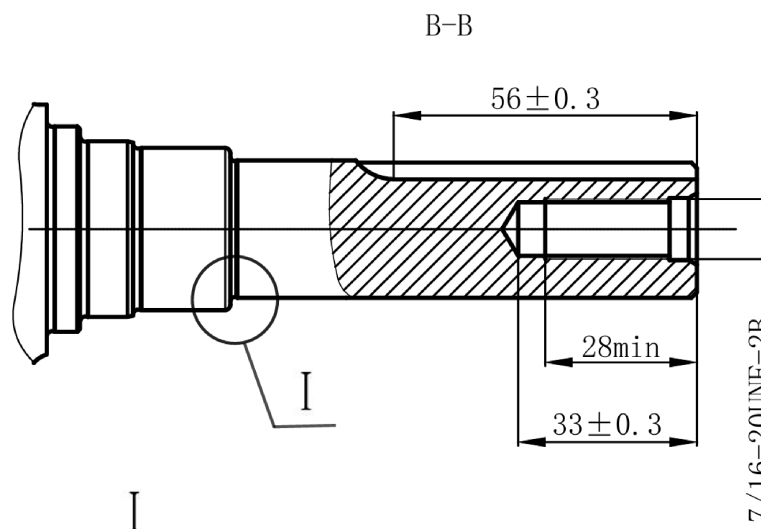
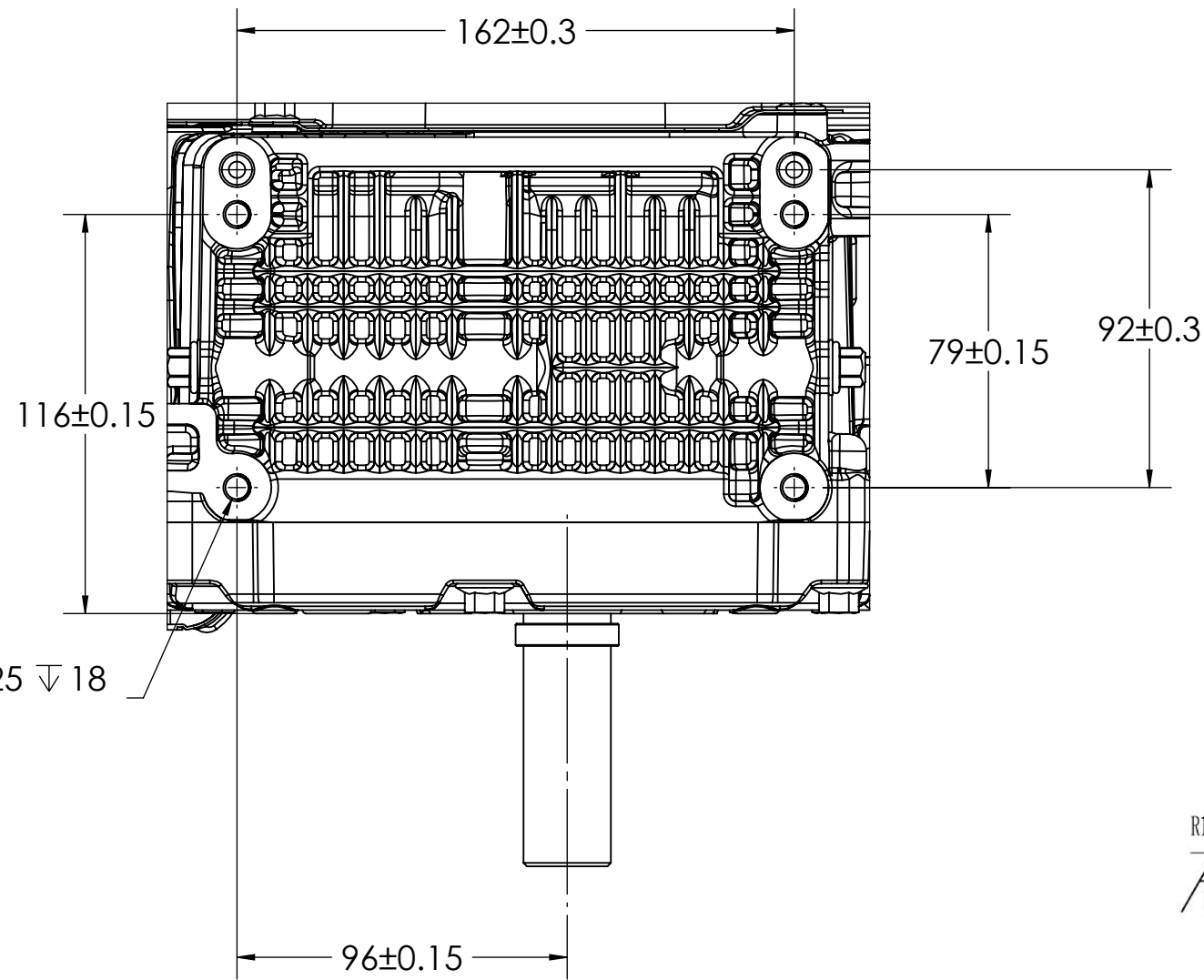
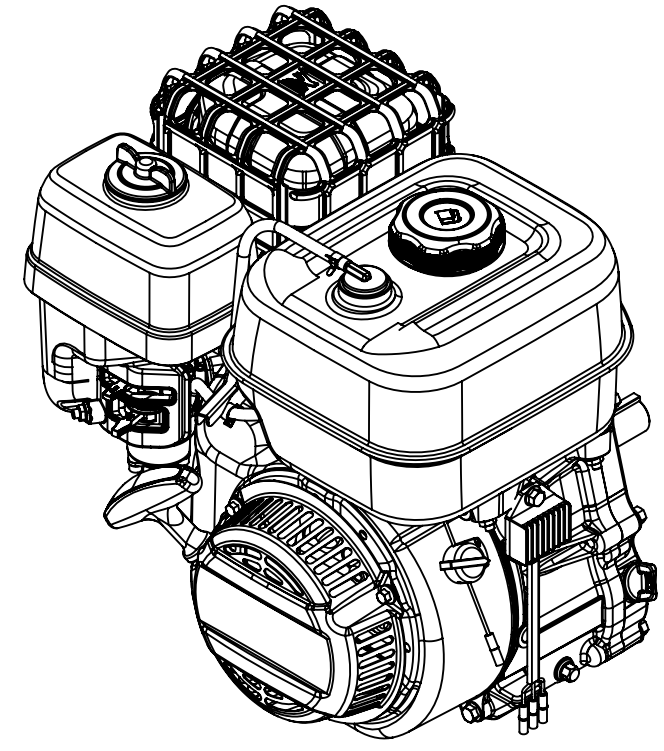
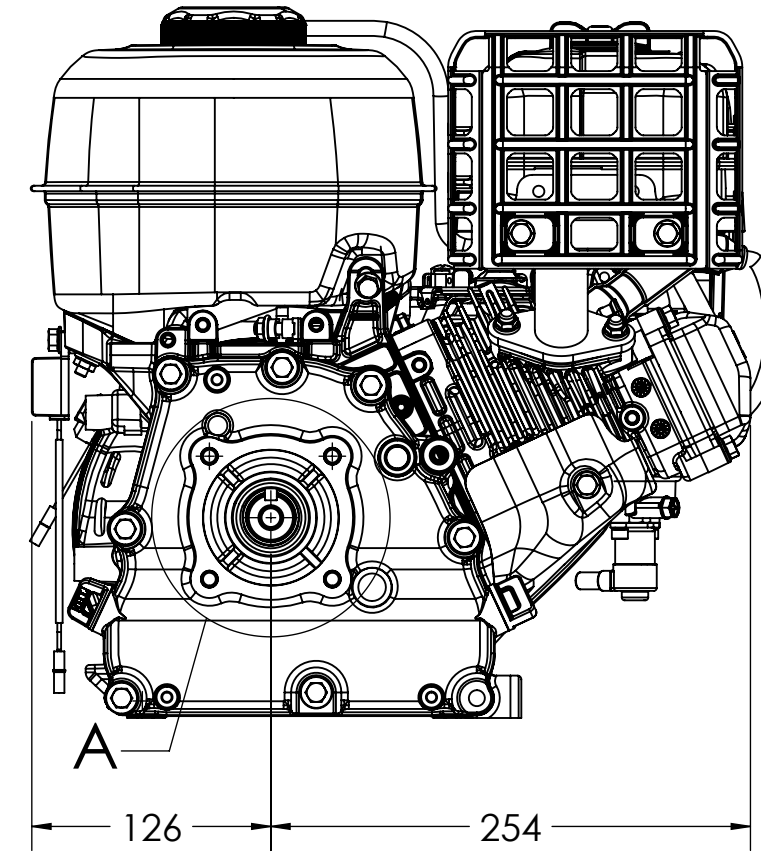
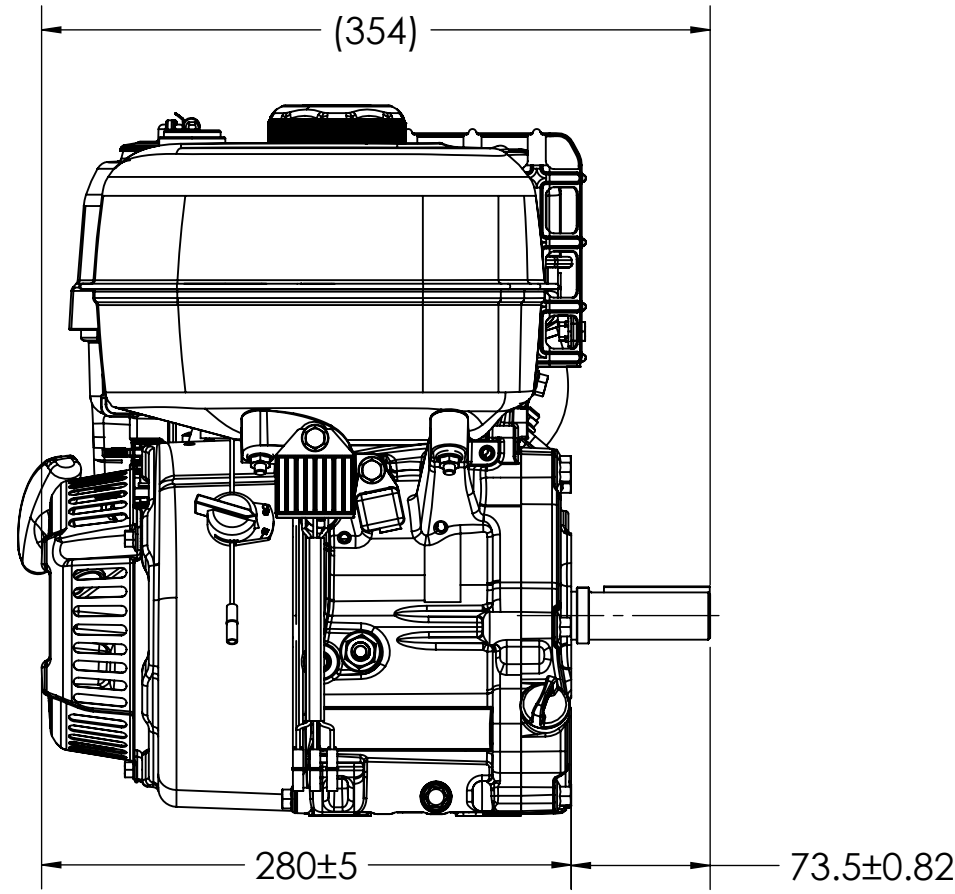
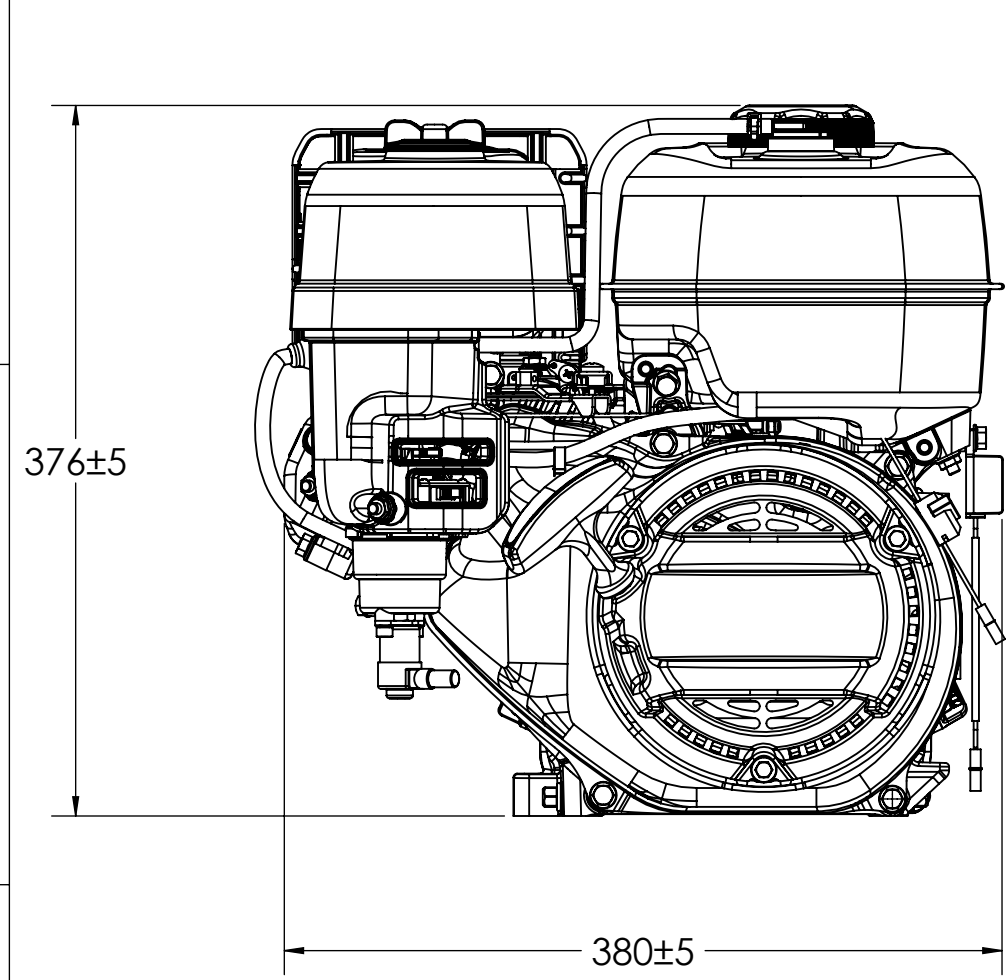


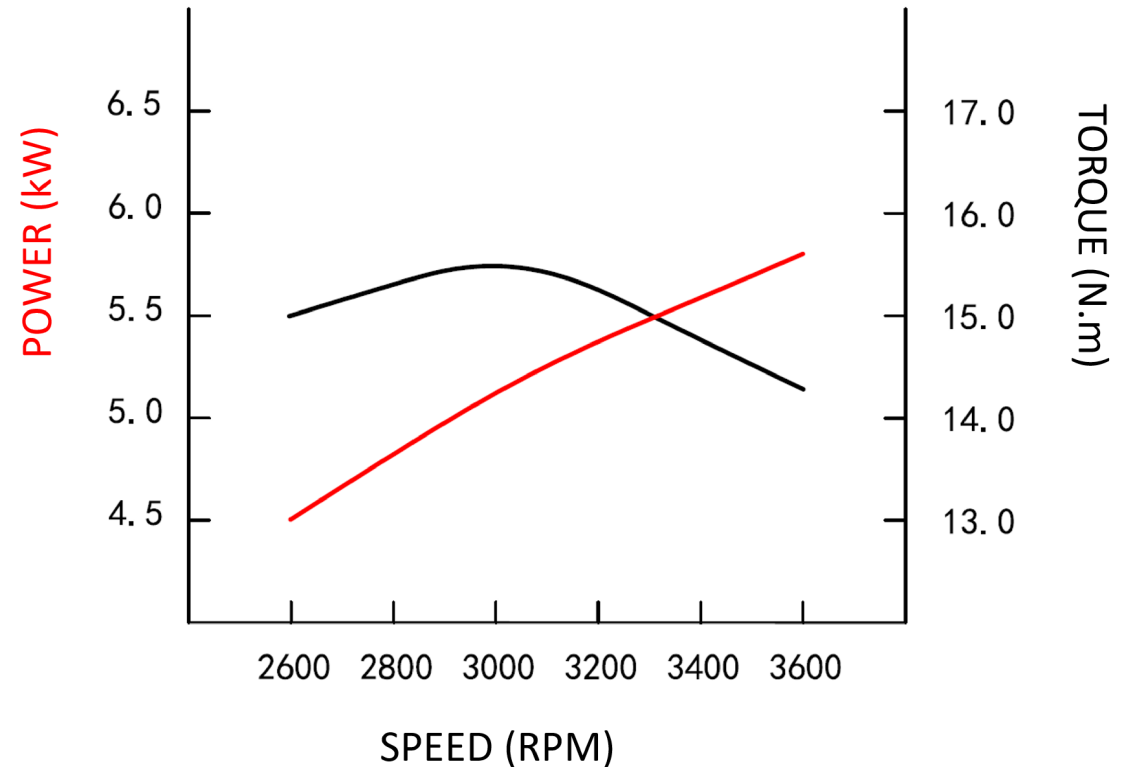
Item	FNA KIT NO.	KIT DESCRIPTION	QTY	Match
1	7118087	Valve Cover	1	110131
2	7118088	Cylinder Head Kit	1	110131
3	7117952	Carburetor Kit	1	110131
4	7118089	Carburetor	1	110131
5	7119968	Air Filter Kit	1	110131
6	7111115	Air Filter Element	1	110131
7	7123249	Muffler	1	110131
8	7118090	Piston Ring Set	1	110131
9	7118091	Piston	1	110131
10	7118092	Connecting Rod Assembly	1	110131
11	7117958	Low Oil Sensor Kit	1	110131
12	7117956	Crankcase	1	110131
13	7118093	Camshaft	1	110131
14	7118094	Dipstick	1	110131
15	7111129	Oil Drain Plug Kit	1	110131
16	7117972	Ignition Module	1	110131
17	7118095	Flywheel	1	110131
18	7118096	Cooling Fan	1	110131
19	7117959	Starter Cup	1	110131
20	7117961	Recoil & Blower Housing Kit	1	110131
21	7117964	Recoil Starter Kit	1	110131

22	7119069	Clip	1	110131
23	7117966	Adjustable Throttle Kit	1	110131
24	7118097	Governor Spring Kit	1	110131
25	7117968	Fuel Tank	1	110131
26	7111121	Fuel Cap	1	110131
27	7117969	Roll Over Valve Kit	1	110131
28	7118098	Gasket Kit	1	110131
29	7118099	Oil Seal And Bearing Kit	1	110131
30	7118100	Charging Coil Kit	1	110131
31	7118101	Wire Board Kit	1	110131
32	7117975	Spark Plug	1	110131
33	7119649	Muffler Mounting Kit	1	110131
34	7123600	Internal Governor Kit	1	110131
35	7117971	Switch Kit	1	110131

REV		DESCRIPTION	ECN#	BY	CHECK	APPROVE	DATE
A		INITIAL DRAWING RELEASE					



DETAIL A
SCALE 1:1



THIRD ANGLE PROJECTION UNLESS OTHERWISE SPECIFIED: DIMENSIONS ARE IN MM TOLERANCES: X ± 2.5 .X ± 0.76 .XX ± 0.25 ANGULAR: ± 1° BEND: ± 1° ALL MACHINED SURFACES: √ 3.2 INTERPRET GEOMETRIC TOLERANCING PER LATEST: ASME Y14.5M	FNA-GROUP 7152 99th Street, Pleasant Prairie, WI 53158 PROPRIETARY AND CONFIDENTIAL THE INFORMATION CONTAINED IN THIS DRAWING IS THE SOLE PROPERTY OF FNA- GROUP. ANY REPRODUCTION IN PART OR AS A WHOLE WITHOUT THE WRITTEN PERMISSION OF FNA-GROUP IS PROHIBITED.	DESCRIPTION: CRX275, RECOIL START, GENERAL PURPOSE	REV: A
	WEIGHT: 18000g MATERIAL:	BREAK ALL SHARP EDGES AND REMOVE BURRS	DWG. NO. 2444103CUST